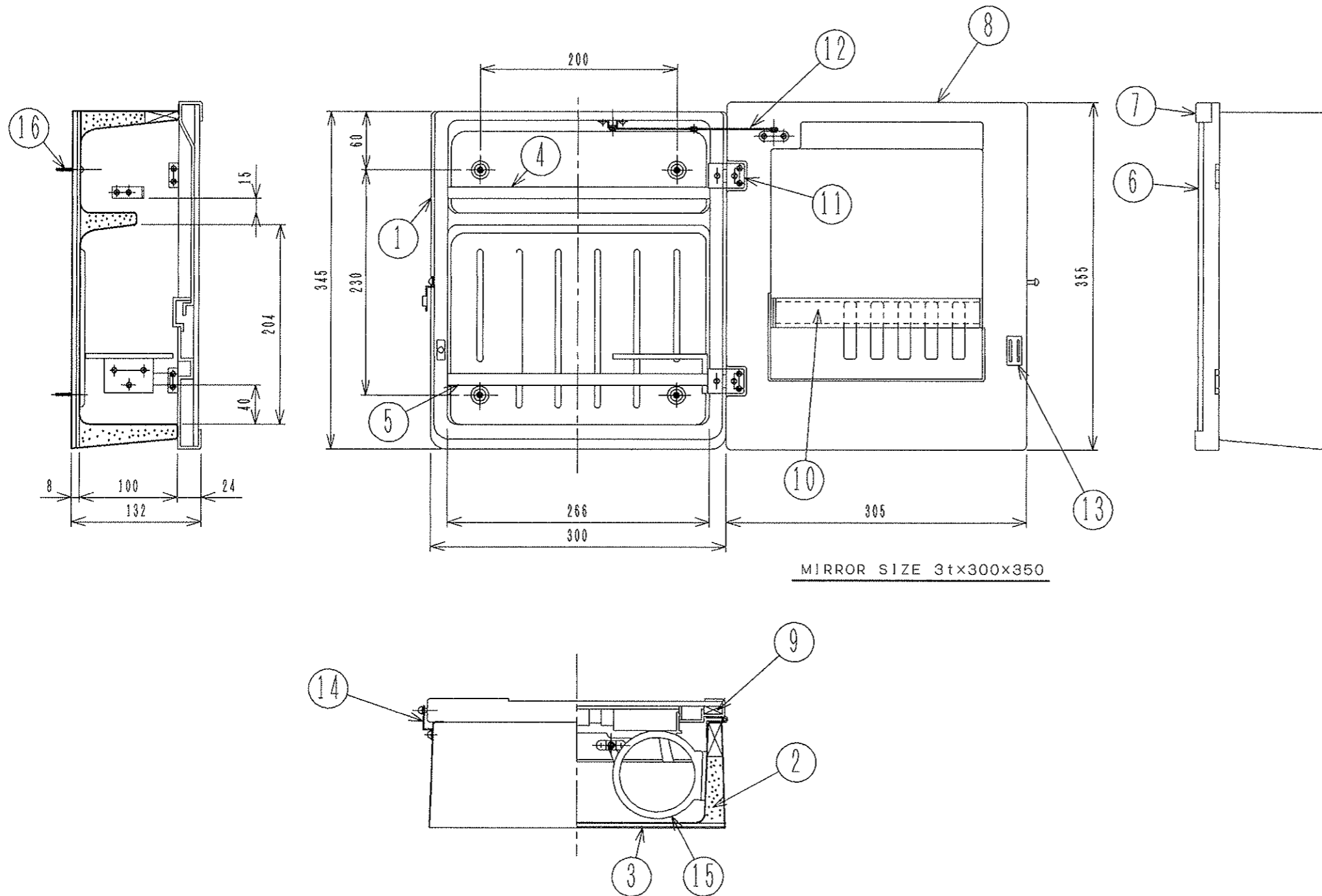


WALL CABINET  
FOR MARINE



31				
30				
29				
28				
27				
26				
25				
24				
23				
22				
21				
20				
19				
18				
17				
16	FIXING SCREW FOR CABINET	BRASS	4	
15	GLASS HOLDER	(ABS) PLASTIC	1	
14	LATCH	STAINLESS STEEL	1	
13	MAGNET CATCH		1	
12	DOOR STAY	STAINLESS STEEL	1	
11	HINGE	STAINLESS STEEL	2	
10	TOOTH BRUSH HOLDER	(GPPS) PLASTIC	1	
9	REINFORCEMENT FOR DOOR BACK	WOOD	1	
8	DOOR BACK	(HIPS) PLASTIC	1	
7	MIRROR HOLDER	(HIPS) PLASTIC	2	
6	MIRROR		1	DAMP PROOF
5			1	
4	GUARD	ALUMINUM	1	
3	BACK BOARD FOR CABINET	WOOD	1	
2	REINFORCEMENT FOR CABINET	PLASTIC FORM WOOD	1	
1	CABINET	(HIPS) PLASTIC	1	
No.	ITEM	MATERIAL	Q. TY	REMARKS
MODEL No.		SCALE	1:5	
TW-S33E		DATE	APR. 1. 1985	
DRAWING NO.	A1-0739	CHECKED BY	T. KAMIYAMA	
LEDGER No.	A1	DESIGN BY		
CASE No.	A4-LF	DRAWING BY	E. MATSUNAGA	

REVISION

No.	DATE			

RP TOPLA Limited