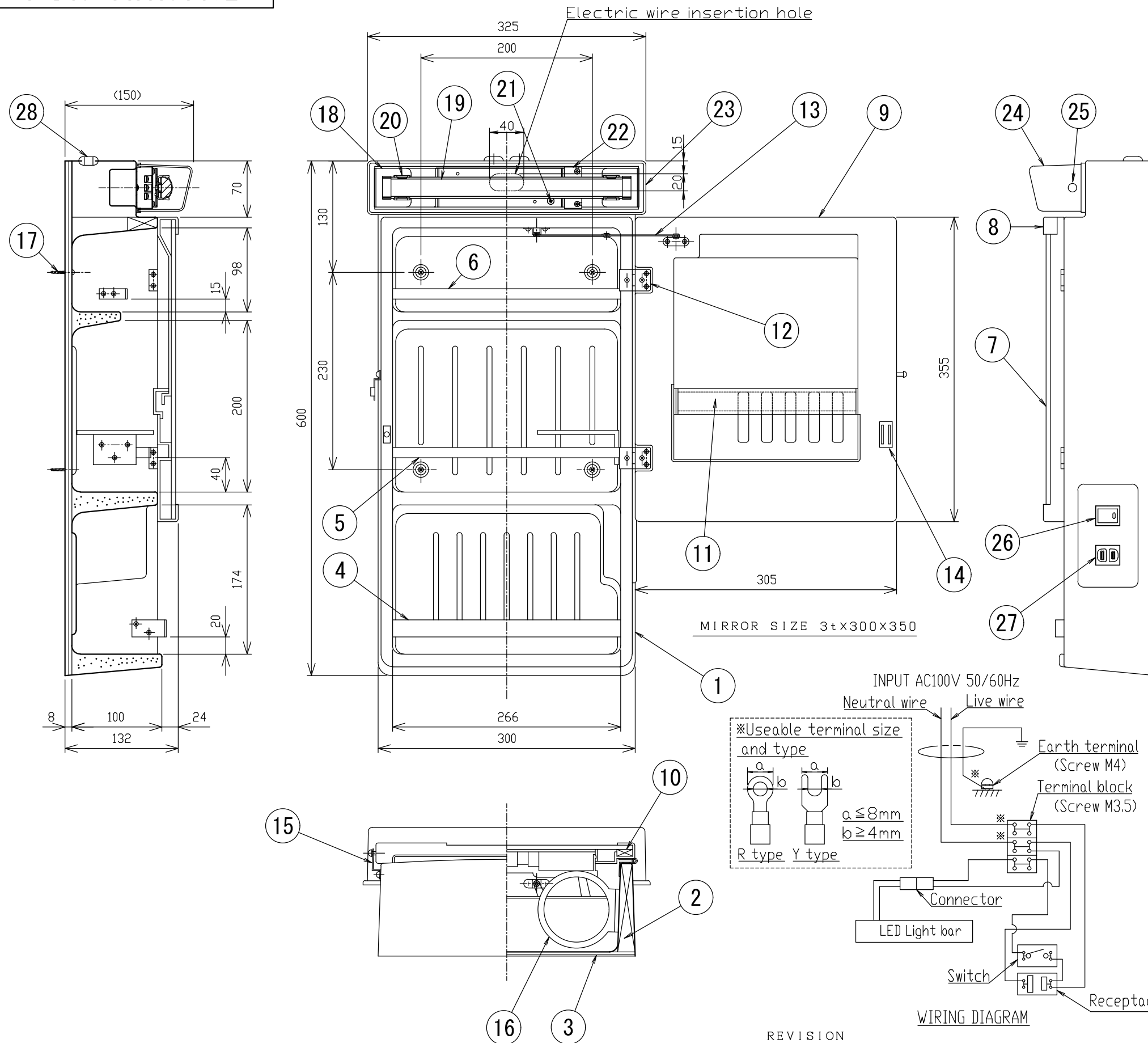


WALL CABINET FOR MARINE



31				
30				
29				
28	BUSH	(CHLOROPRENE) PLASTIC	2	
27	RECEPTACLE	Panasonic Electric Works WN1001010	1	15A 125V
26	SWITCH	Panasonic Electric Works WNS001010	1	15A 300V
25	FIXING SCREW FOR LAMP COVER		2	
24	LAMP COVER	(GPPS) PLASTIC	1	
23	LAMP BODY	(PE) PLASTIC	1	
22	TERMINAL BLOCK	SATO PARTS CO.,LTD ML-1-3P	1	
21	EARTH TERMINAL	BRASS	1	Screw M4
20	LED HOLDER	PC	2	
19	LED LIGHT BAR		1	AC100V 4W 50/60Hz
18	CHASSIS	STEEL	1	
17	FIXING SCREW FOR CABINET	BRASS	4	
16	GLASS HOLDER	(ABS) PLASTIC	1	
15	LATCH	STAINLESS STEEL	1	
14	MAGNET CATCH		1	
13	DOOR STAY	STAINLESS STEEL	1	
12	HINGE	STAINLESS STEEL	2	
11	TOOTH BRUSH HOLDER	(GPPS) PLASTIC	1	
10	REINFORCEMENT FOR DOOR BACK	WOOD	1	
9	DOOR BACK	(HIPS) PLASTIC	1	
8	MIRROR HOLDER	(HIPS) PLASTIC	2	
7	MIRROR		1	DAMP PROOF
6			1	
5			1	
4	GUARD	ALUMINUM	1	
3	BACK BOARD FOR CABINET	WOOD	1	
2	REINFORCEMENT FOR CABINET	PLASTIC FORM WOOD	1	
1	CABINET	(HIPS) PLASTIC	1	

No.	ITEM	MATERIAL	Q, TY	REMARKS
MODEL No.		SCALE	1 : 5	
TW-S36EL		DATE	DEC. 1. 2018	
DRAWING NO.	A1-1,1,7,3	CHECKED BY	M. YONEMOTO	
LEDGER No.	A1	DESIGN BY	N. HIGUCHI	
CASE No.	----	DRAWING BY	N. HIGUCHI	

※For marine only.

REVISION

No.	△	△	△	△
DATE				

RP TOPLA Limited