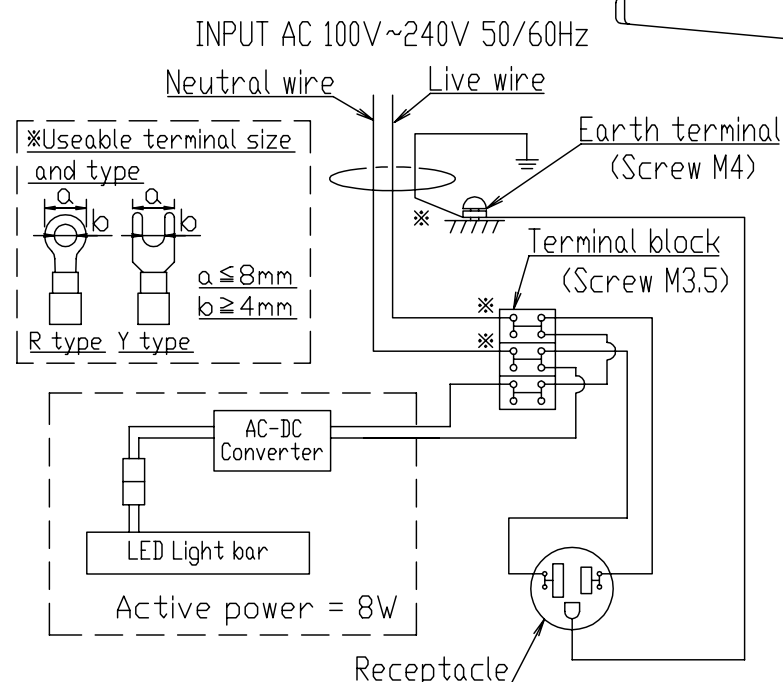
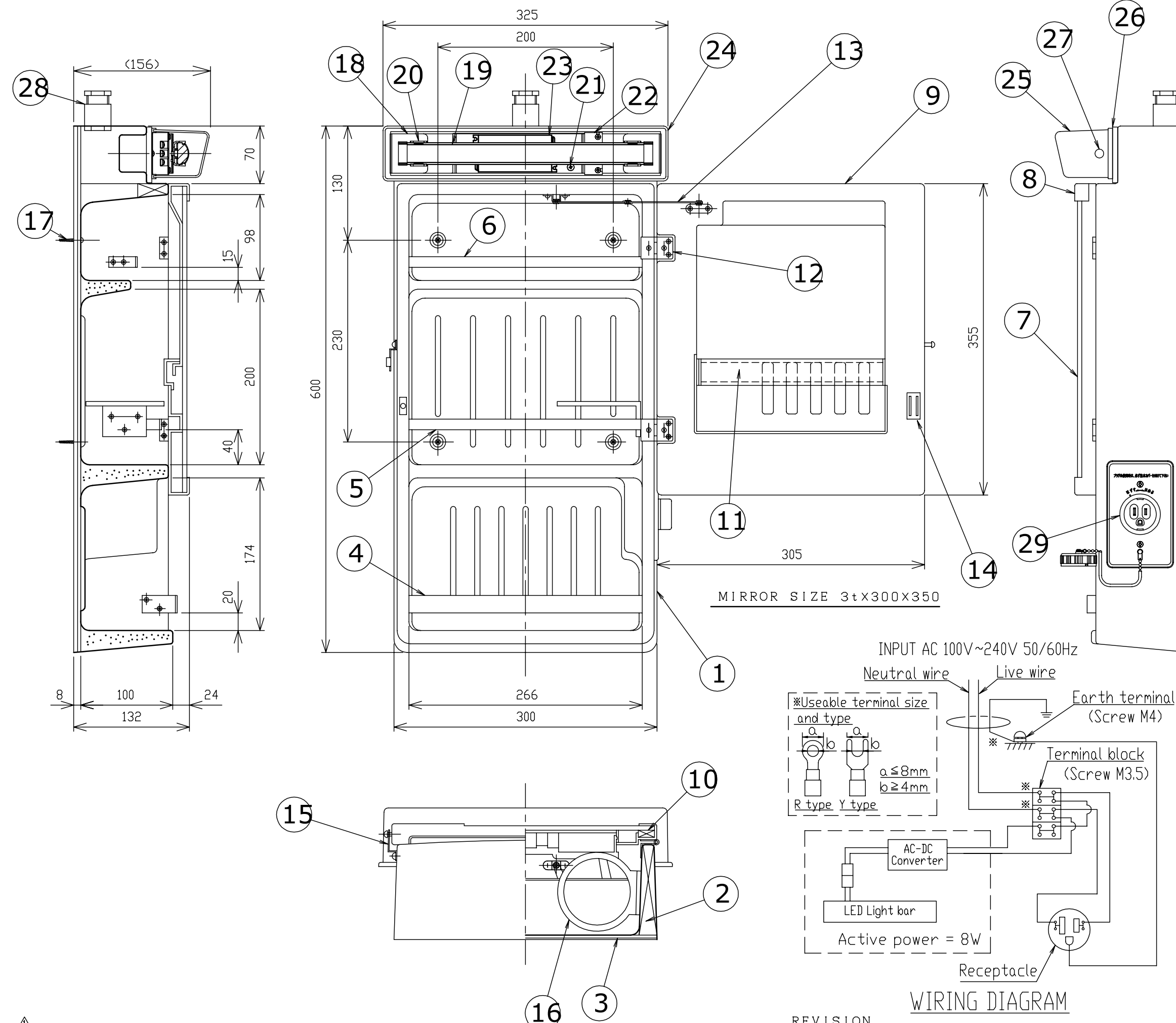


WALL CABINET  
FOR MARINE



31				
30				
29	RECEPTACLE	Panasonic WF4100F	1	DRIP PROOF
28	GRAND	PLASTIC	1	
27	FIXING SCREW FOR LAMP COVER		2	
26	RUBBER PACKING		1	
25	LAMP COVER	(GPPS) PLASTIC	1	
24	LAMP BODY	(PE) PLASTIC	1	
23	AC-DC CONVERTER		1	INPUT-AC 100V~240V OUTPUT-DC 500mA 12V
22	TERMINAL BLOCK	SATO PARTS CO.,LTD ML-1-3P	1	
21	EARTH TERMINAL	BRASS	1	Screw M4
20	LED HOLDER	PC	2	
19	LED LIGHT BAR		1	DC500mA 6W
18	CHASSIS	STEEL	1	
17	FIXING SCREW FOR CABINET	BRASS (ABS)	4	
16	GLASS HOLDER	PLASTIC	1	
15	LATCH	STAINLESS STEEL	1	
14	MAGNET CATCH		1	
13	DOOR STAY	STAINLESS STEEL	1	
12	HINGE	STAINLESS STEEL	2	
11	TOOTH BRUSH HOLDER	(GPPS) PLASTIC	1	
10	REINFORCEMENT FOR DOOR BACK	WOOD	1	
9	DOOR BACK	(HIPS) PLASTIC	1	
8	MIRROR HOLDER	(HIPS) PLASTIC	2	
7	MIRROR		1	DAMP PROOF
6			1	
5			1	
4	GUARD	ALUMINUM	1	
3	BACK BOARD FOR CABINET	(HIPS) PLASTIC	1	
2	REINFORCEMENT FOR CABINET	PLASTIC FORM WOOD	1	
1	CABINET	(HIPS) PLASTIC	1	
No.	ITEM	MATERIAL	Q, TY	REMARKS

MODEL No.		SCALE	1 : 5
TW-S36ELDX		DATE	DEC. 1. 2018
DRAWING NO.	A1-1185	CHECKED BY	M. YONEMOTO
LEDGER No.	A1	DESIGN BY	N. HIGUCHI
CASE No.	----	DRAWING BY	N. HIGUCHI

△  
※The receptacle has water resistance only if that is covered by the cap. (be equal to IPX3)  
※For marine only.

REVISION No.	DATE	REVISION	DATE	REVISION	DATE
	Mar.06.2019				

RP TOPLA Limited